

NO. A-23573-1

PUMP PERFORMANCE CURVES

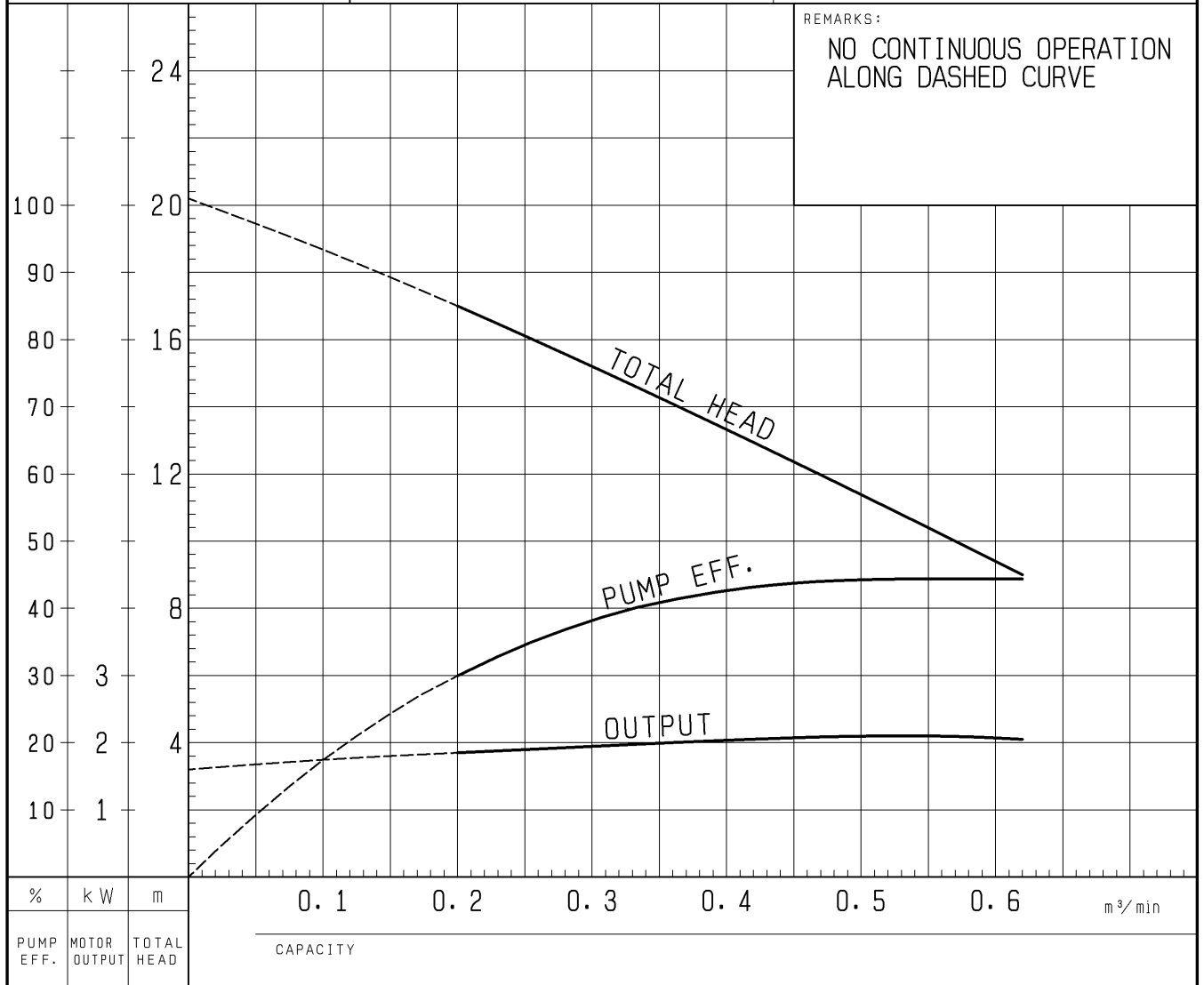
TYPE	Submersible Sewage & Wastewater Pump	MODEL	80NHC22.2 -61 TOS80NHC22.2 -61	FREQUENCY	60 Hz
------	---	-------	-----------------------------------	-----------	-------

CUSTOMER'S NAME _____

EQUIPMENT TITLE _____

NO. _____

	STANDARD SPECIFICATIONS	REQUIRED SPECIFICATIONS
DISCHARGE BORE	80 mm	mm
TOTAL HEAD	MAX. 20.2 m	m
CAPACITY	MAX. 0.62 m ³ /min	m ³ /min
MOTOR OUTPUT	2.2 kW	kW
PHASE × VOLTAGE	3 φ × V	φ × V
CURRENT	A	A
POLES / REVOLUTION	2 P / S. S. 3600 min ⁻¹	P / min ⁻¹
STARTING METHOD	DIRECT ON LINE	
INSULATION CLASS	F	

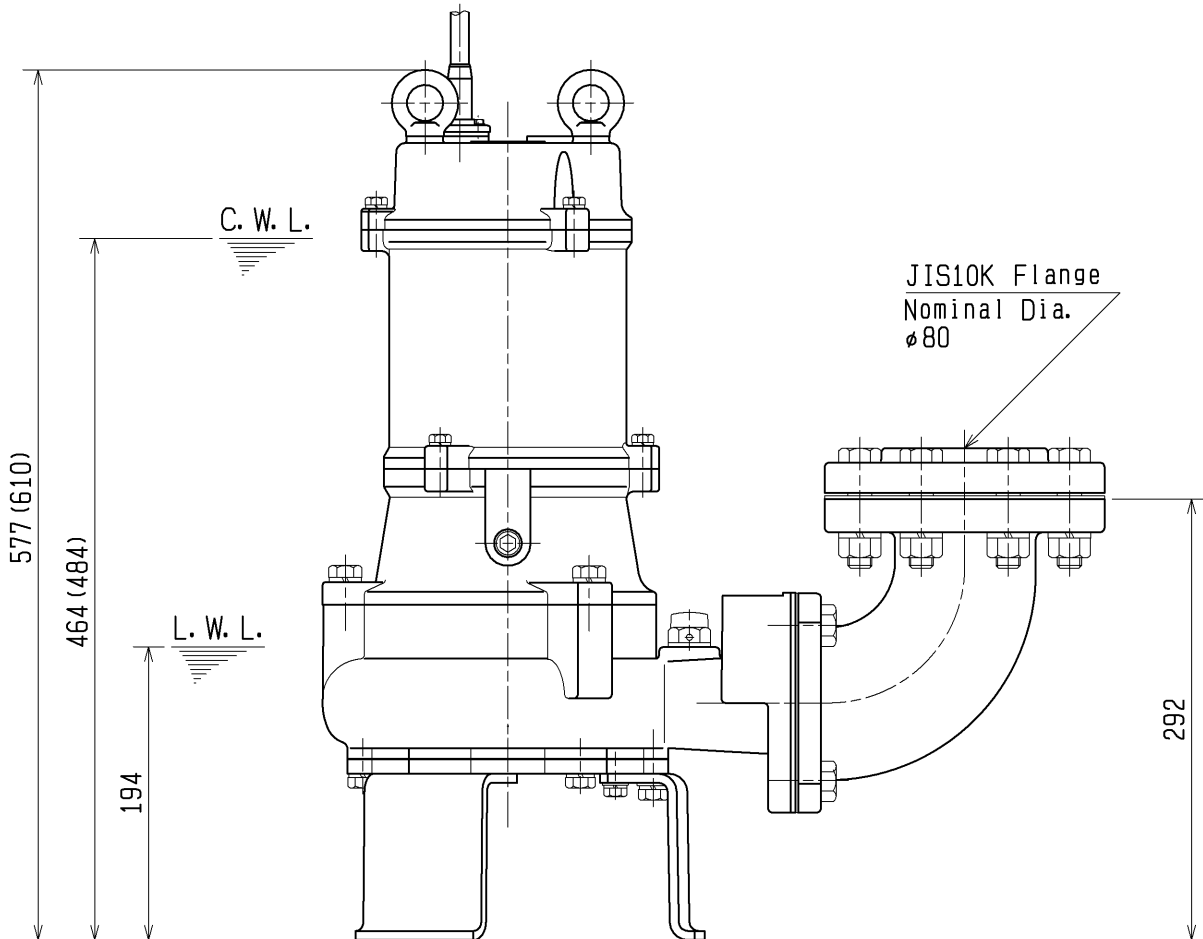
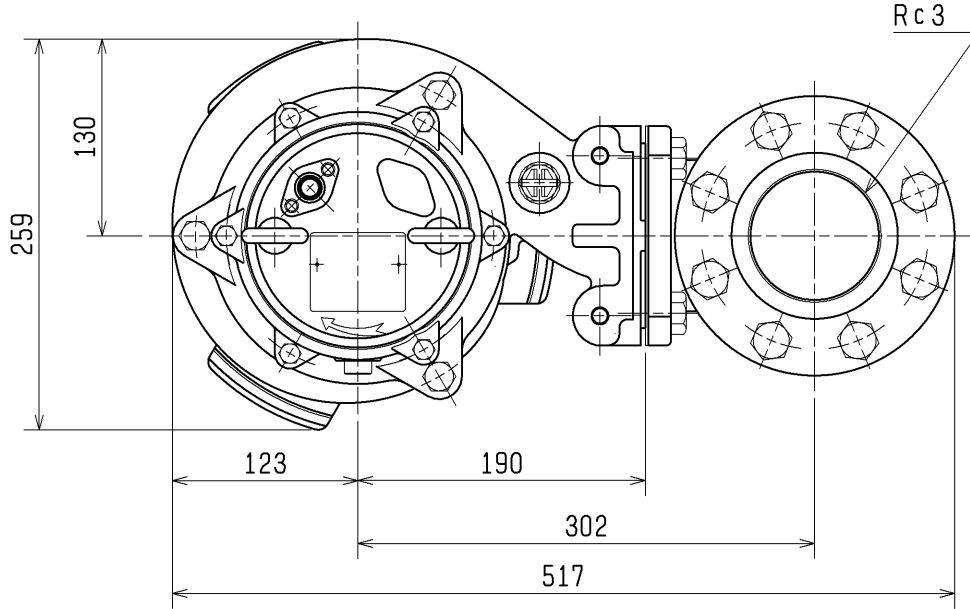


TSURUMI MFG. CO., LTD.

DIMENSION DRAWING		No.	No.	A-23584-3
TYPE	Submersible Sewage & Wastewater Pump	MODEL	80NHC22.2 -51/61 80NHC23.7 -51/61	

MODEL	Approximate Weight (※)
80NHC22.2-51/61	55kg
80NHC23.7-51/61	67kg

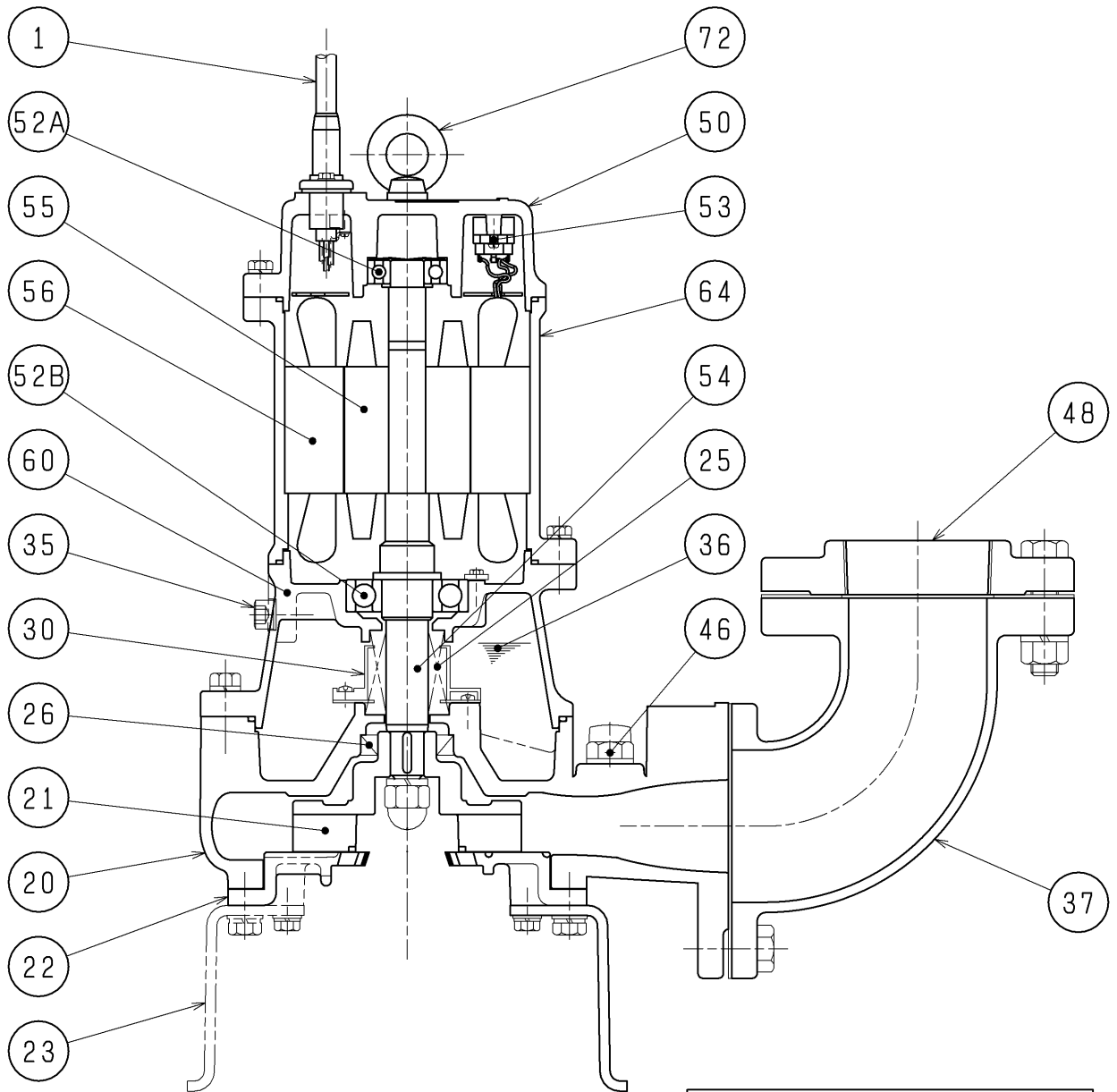
※excluding cable



The figure in () shows the dimensions of 80NHC23.7-51/61.

C.W.L. :Continuous running Water Level
L.W.L. :Lowest running Water Level

SECTIONAL DRAWING		No.	No.	A-23589-2
TYPE	Submersible Sewage & Wastewater Pump	MODEL	80NHC22.2 -51/61 80NHC23.7 -51/61	



※ the wetted part

	2.2kW	3.7kW
※1	6204ZZC3	6304ZZC3
※2	6306ZZC3	6307ZZC3

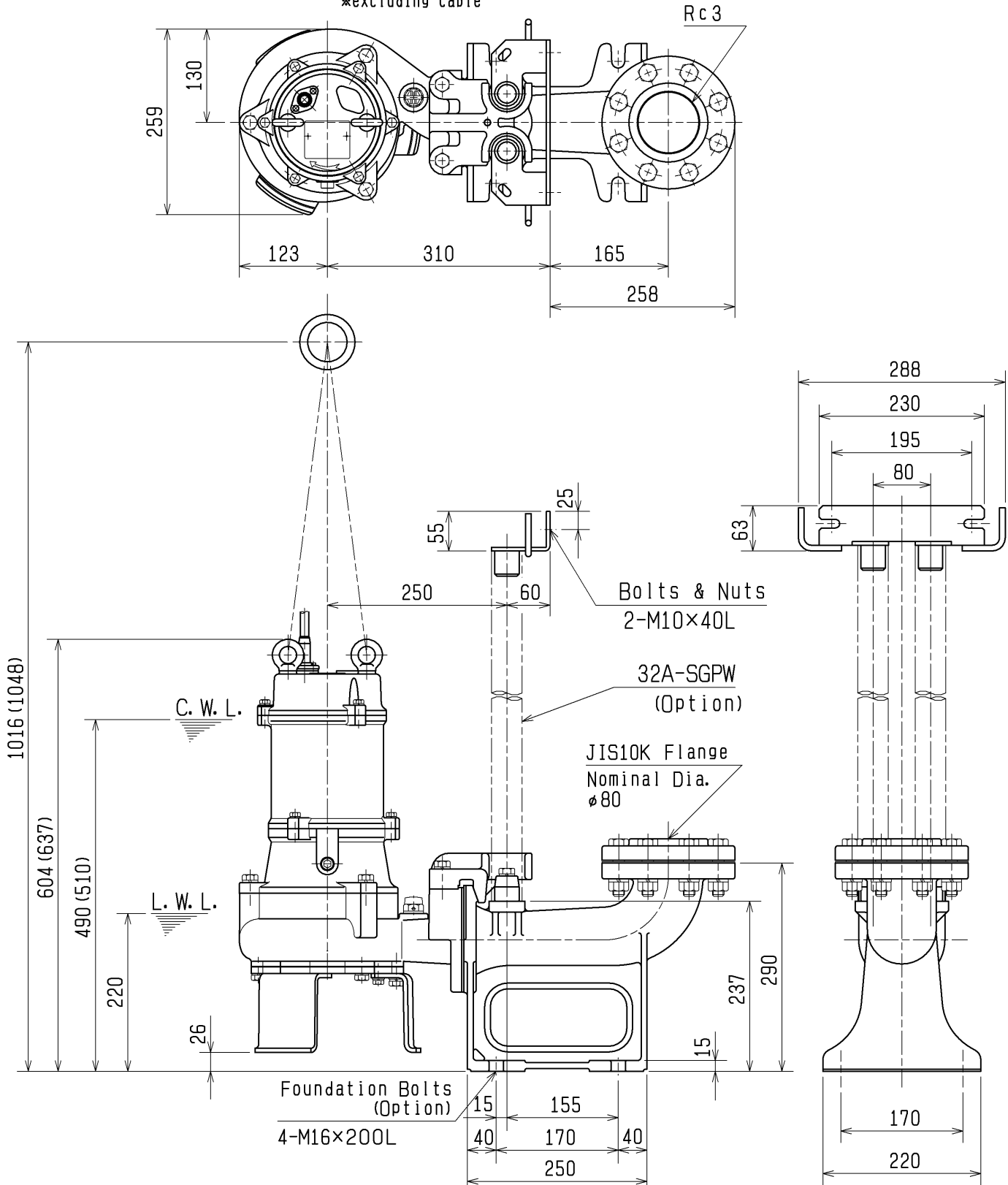
REQ. SPECIFICATION	

No.	DESCRIPTION	Q'TY	MATERIAL / NOTE	No.	DESCRIPTION	Q'TY	MATERIAL / NOTE
1	Cable	1	Chloroprene Sheath	50	Motor Bracket	1	Gray Iron Casting
20	Pump Casing	1	Gray Iron Casting	52A	Upper Bearing	1	※1
21	Impeller	1	Gray Iron Casting (WC Edge)	52B	Lower Bearing	1	※2
22	Suction Cover	1	Ductile Iron Casting	53	Motor Protector	1	
23	Stand	3	Steel Plate	54	Shaft	1	Stainless Steel 420J1(※)
25	Mechanical Seal	1	φ25	55	Rotor	1	
26	Oil Seal	1	355512	56	Stator	1	
30	Oil Lifter	1	Plastic	60	Bearing Housing	1	Gray Iron Casting
35	Oil Plug	1	Stainless Steel 304	64	Motor Frame	1	Gray Iron Casting
36	Lubricant		Turbine Oil (ISO VG32)	72	Eye Bolt	2	Carbon Steel
37	Discharge Bend	1	Gray Iron Casting				
46	Air Release Valve	1	Plastic				
48	Screwed Flange	1	Gray Iron Casting				

DIMENSION DRAWING		No.	No.	A-23593-3
TYPE	Submersible Sewage & Wastewater Pump	MODEL	TOS80NHC22.2 -51/61 TOS80NHC23.7 -51/61	

MODEL	Approximate Weight(※)	
	Duckfoot Bend	Pump
TOS80NHC22.2-51/61	23kg	48kg
TOS80NHC23.7-51/61	23kg	60kg

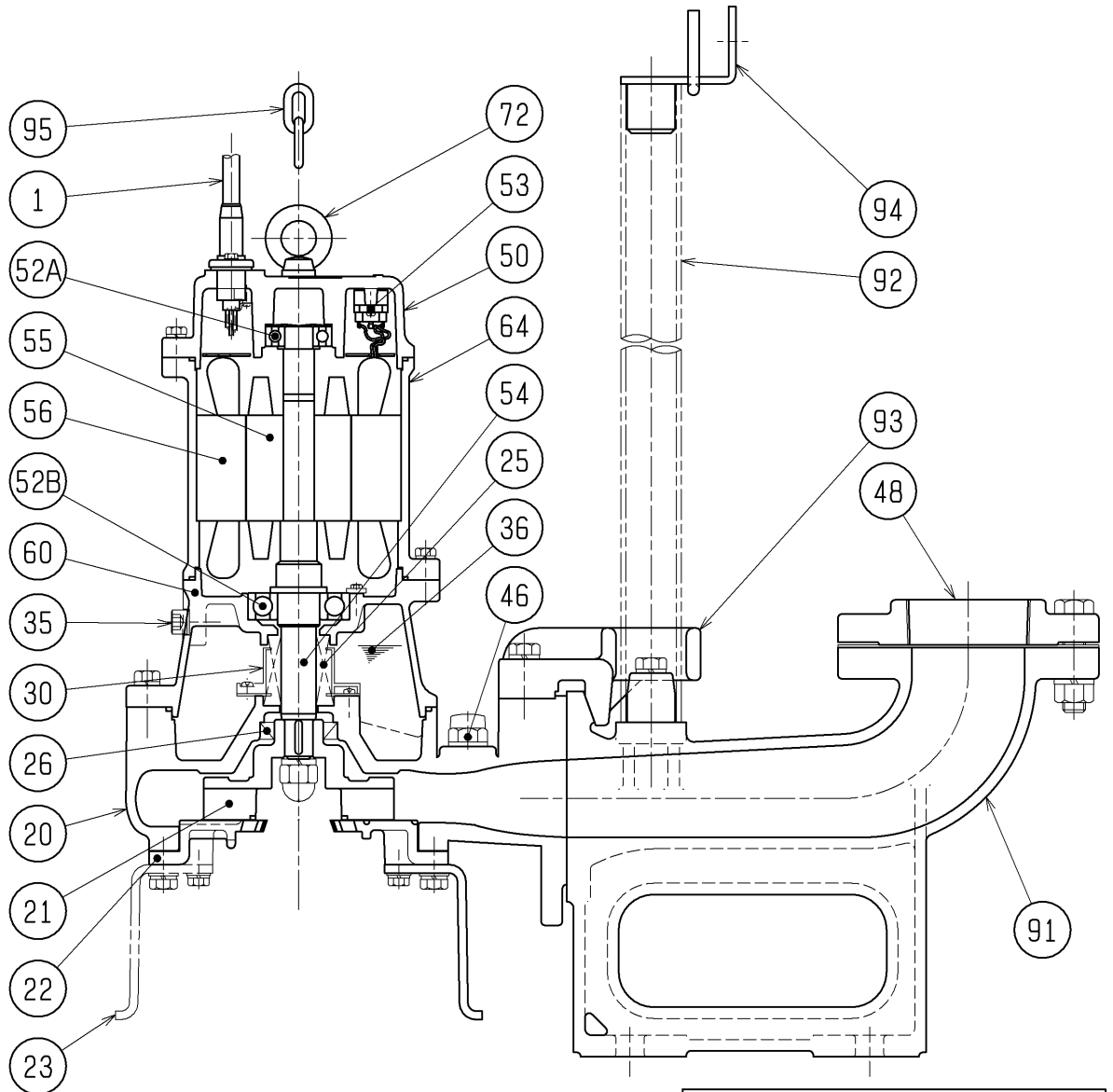
※excluding cable



The figure in () shows the dimensions of TOS80NHC23.7-51/61.

C.W.L. :Continuous running Water Level
L.W.L. :Lowest running Water Level

SECTIONAL DRAWING		No.	No.	A-23598-2
TYPE	Submersible Sewage & Wastewater Pump	MODEL	TOS80NHC22.2 -51/61 TOS80NHC23.7 -51/61	



※ the wetted part

	2.2kW	3.7kW
※1	6204ZZC3	6304ZZC3
※2	6306ZZC3	6307ZZC3

REQ. SPECIFICATION	

No.	DESCRIPTION	Q'TY	MATERIAL / NOTE	No.	DESCRIPTION	Q'TY	MATERIAL / NOTE
1	Cabtyre Cable	1	Chloroprene Sheath	53	Motor Protector	1	
20	Pump Casing	1	Gray Iron Casting	54	Shaft	1	Stainless Steel 420J1(※)
21	Impeller	1	Gray Iron Casting (WC Edge)	55	Rotor	1	
22	Suction Cover	1	Ductile Iron Casting	56	Stator	1	
23	Stand	3	Steel Plate	60	Bearing Housing	1	Gray Iron Casting
25	Mechanical Seal	1	φ25	64	Motor Frame	1	Gray Iron Casting
26	Oil Seal	1	355512	72	Eye Bolt	2	Carbon Steel
30	Oil Lifter	1	Plastic	91	Duck Foot Bend	1	Gray Iron Casting
35	Oil Plug	1	Stainless Steel 304	92	Guide Pipe	2	Galvanized Steel Pipe (Option)
36	Lubricant		Turbine Oil (ISO VG32)	93	Guide Hook	1	Ductile Iron Casting
46	Air Release Valve	1	Plastic	94	Guide Support	1	Stainless Steel 304
48	Screwed Flange	1	Gray Iron Casting	95	Chain	1	Structure Steel, 5m
50	Motor Bracket	1	Gray Iron Casting				
52A	Upper Bearing	1	※1				
52B	Lower Bearing	1	※2				